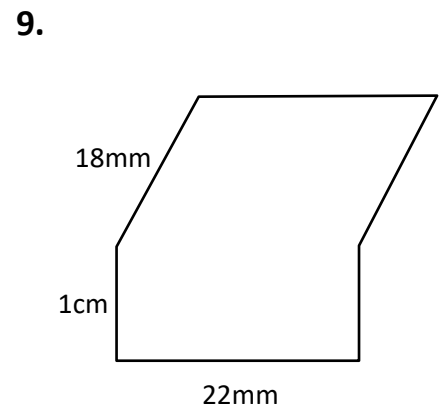
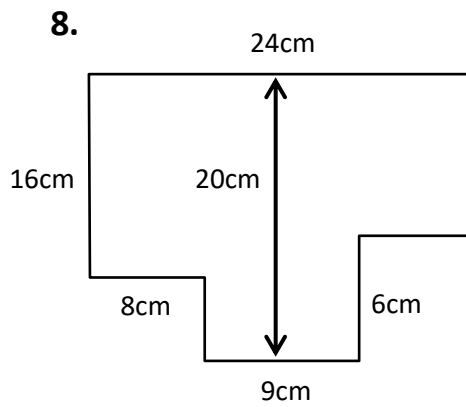
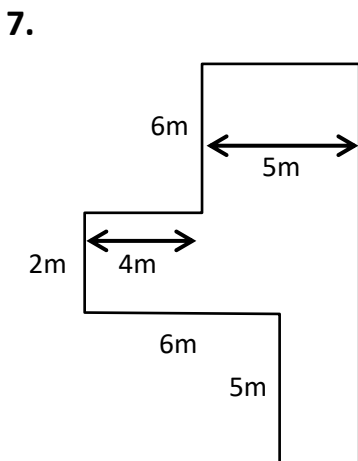
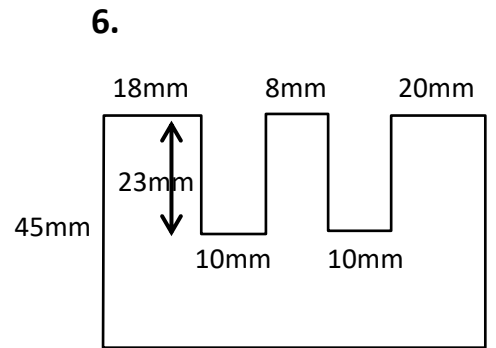
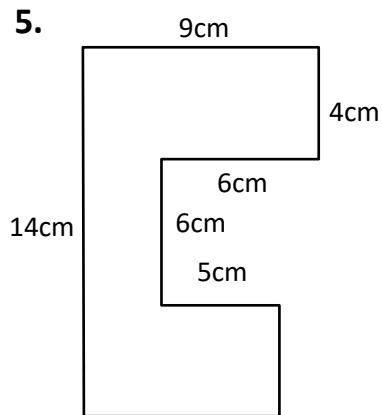
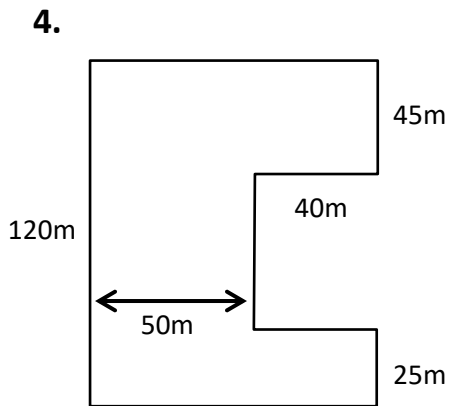
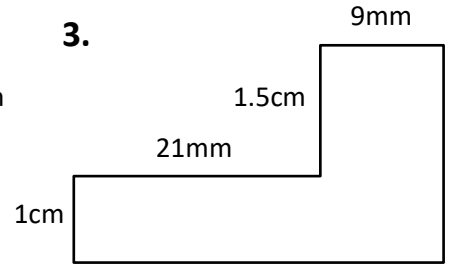
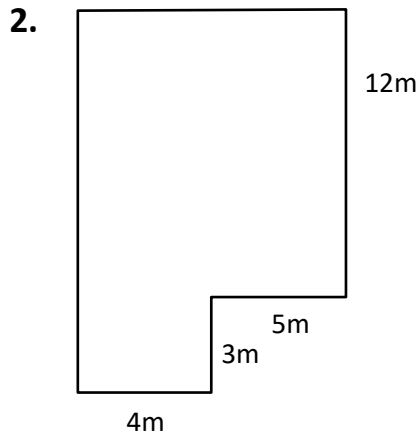
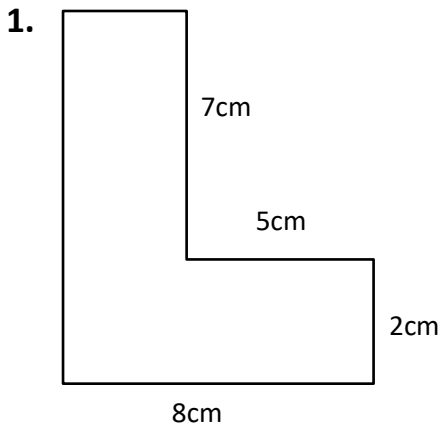


Perimeter of compound shapes

Find the perimeter of each of these shapes. Write in missing lengths that you calculate.



(This shape is made from a rectangle and a parallelogram)

NB. Diagrams not drawn to scale