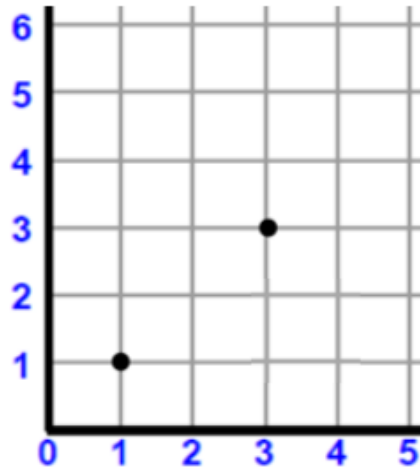


Plot **one** coordinate to make a **triangle**.



Plot **two** coordinates to make a **square**

Jamie is drawing a trapezium. He wants his final shape to look like this:



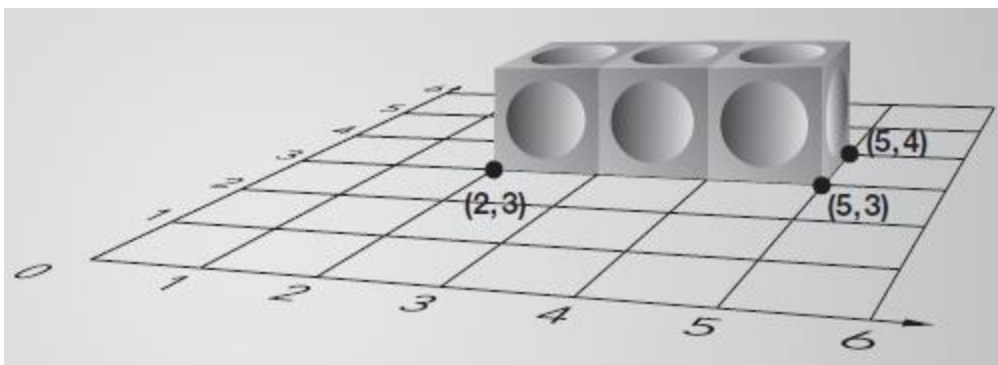
Jamie uses the co-ordinates (2, 4) , (4, 5) , (1, 6) and (5, 6).



Will he draw a trapezium that looks correct?

If not, can you correct his co-ordinates?

Andy places three cubes on a coordinate grid. The base of his shape is a rectangle.

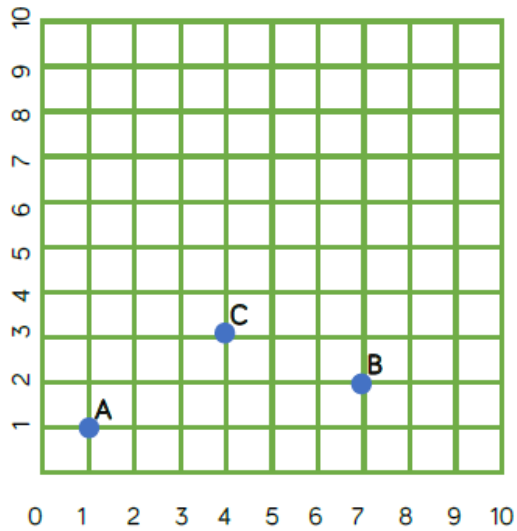


The four **vertices** of the rectangle are: (2, 3), (5, 3), (5, 4) and

(      ,      )

Marie has written the co-ordinates of point A, B and C.

**A** (1, 1) **B** (2, 7) **C** (3, 4)



Mark Marie's work and correct any mistakes.

### Working Deeper

Complete the coordinate for the isosceles triangle.

