

Tommy uses multilink cubes to represent an unknown number and base ten ones to represent 1

$$\text{Green cube} = x \quad \text{Red cube} = 1$$

Write algebraic expressions to describe the sets of cubes.

The first one has been done for you.

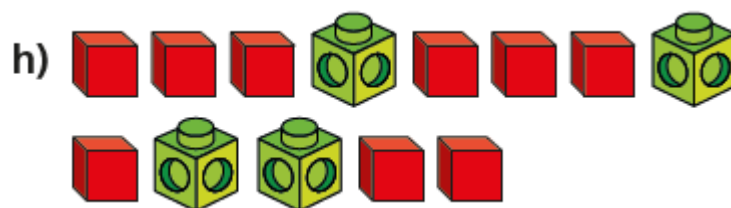


$$\underline{2x + 3}$$

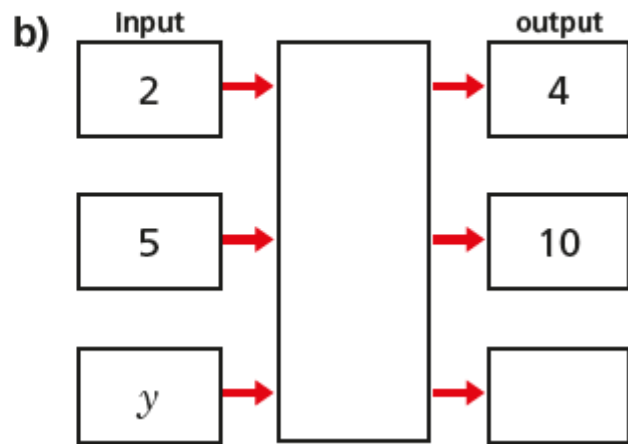
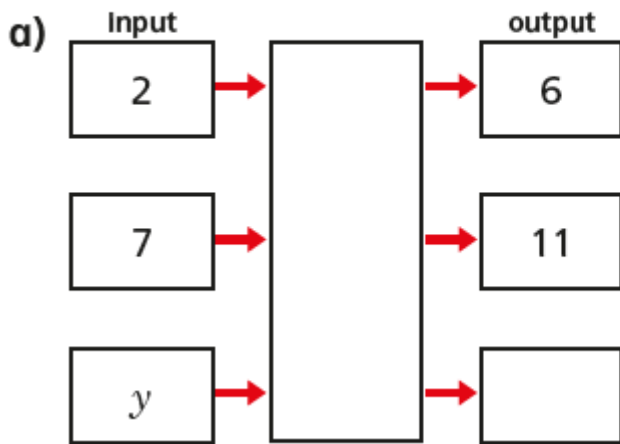








Complete the function machines.



Match each statement to the equivalent algebraic expression.

Write the missing statements.

5 more than y

$2y$

y less than 5

$y - 5$

y multiplied by 5

$5 - y$

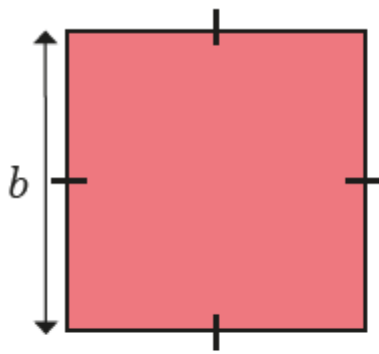
y divided by 5

$y + 5$

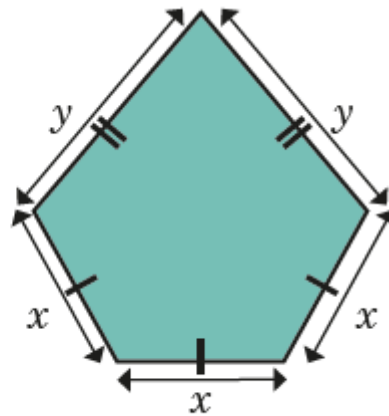
double y

$5y$

Write an algebraic expression to represent the perimeter of each shape.



e)



Working Deeper

Complete the bar models.

