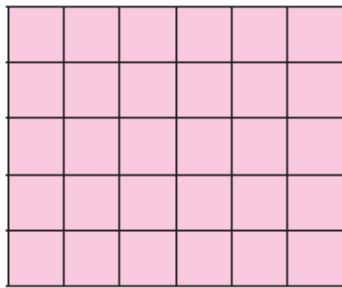


Work out the areas and perimeters of the shapes.

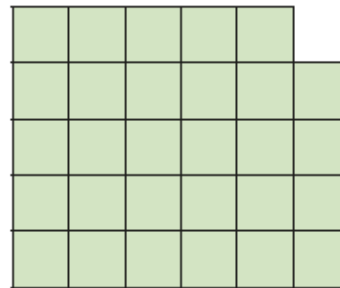
Shape A



area =  cm<sup>2</sup>

perimeter =  cm

Shape B

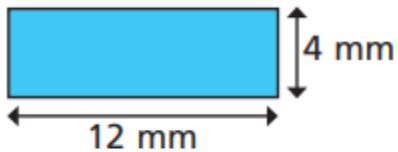


area =  cm<sup>2</sup>

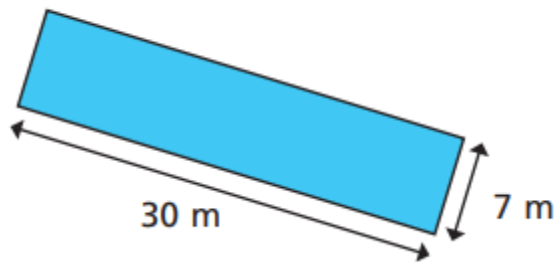
perimeter =  cm

Work out the area of these rectangles.

a)



b)

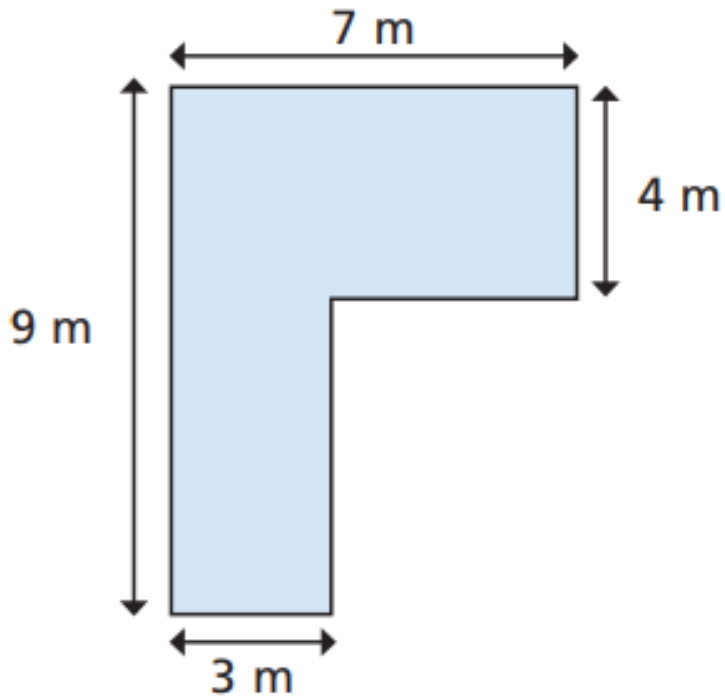


Using your cm ruler, calculate the area and perimeter of:

- the table top
- The front of your maths book

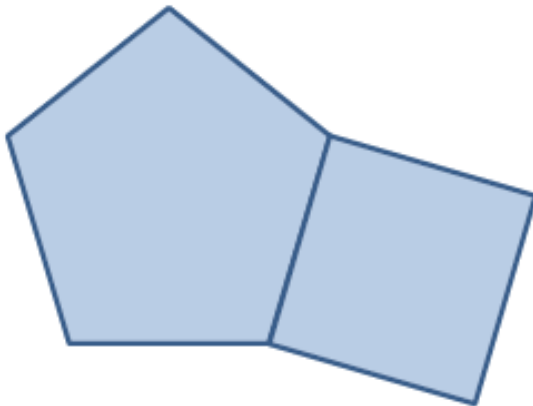
To the nearest cm.

Work out the area and perimeter of this compound shape.



Working Deeper

This shape is made of a regular pentagon and a square.



The area of the square is  $8\text{cm}^2$ .

Find the perimeter of the shape.