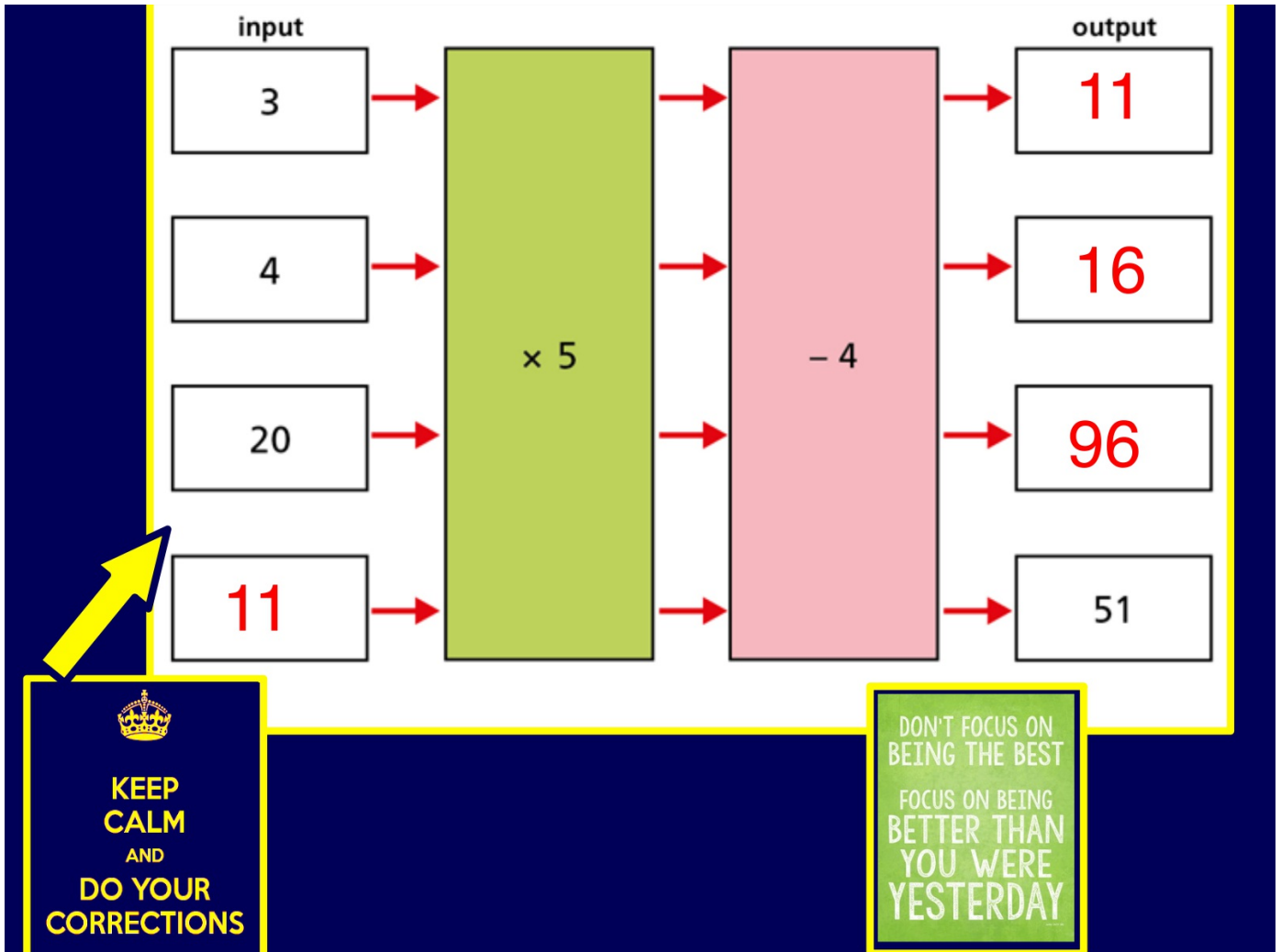
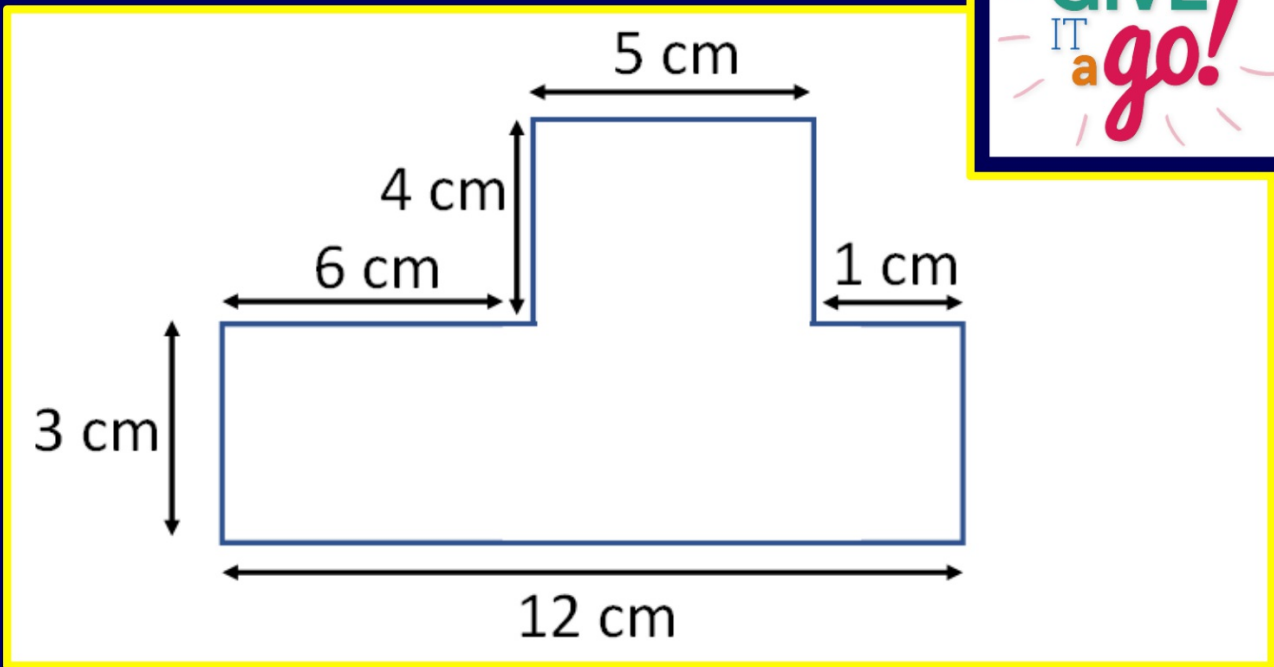


**KEEP
CALM
AND
DO YOUR
CORRECTIONS**

**DON'T FOCUS ON
BEING THE BEST
FOCUS ON BEING
BETTER THAN
YOU WERE
YESTERDAY**

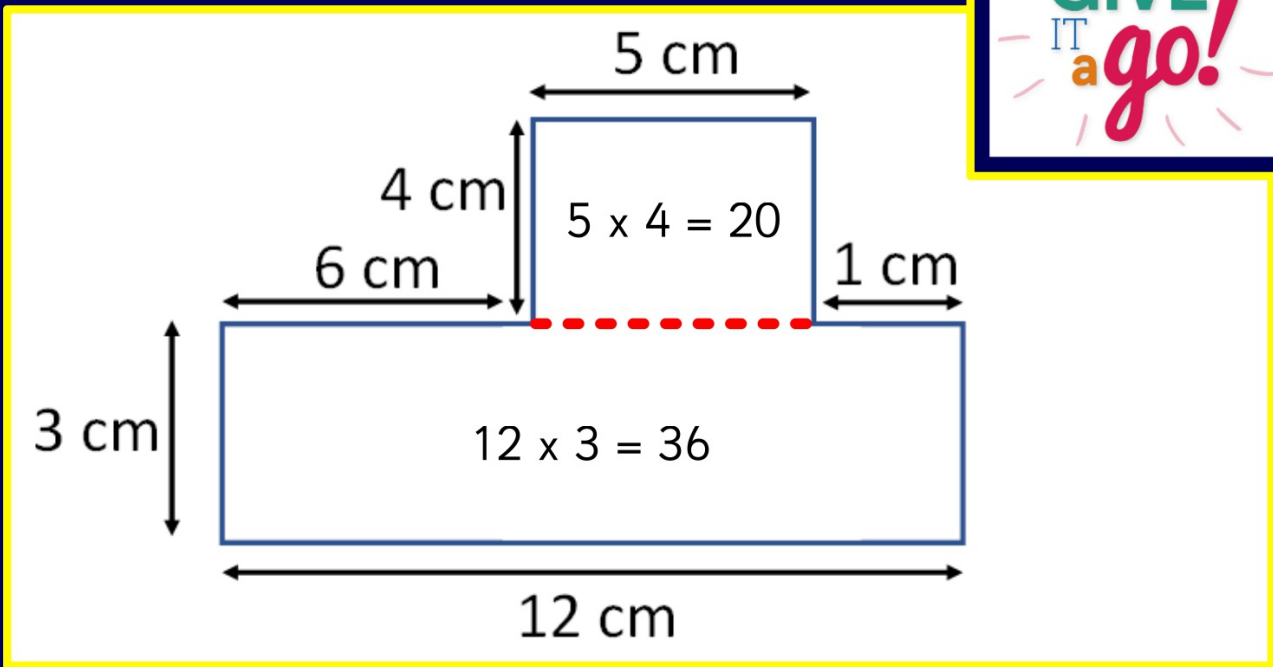


Calculate the area



$$\text{Area} = \text{length} \times \text{width}$$

Calculate the area



Area: $20 + 36 = 56\text{cm}^2$

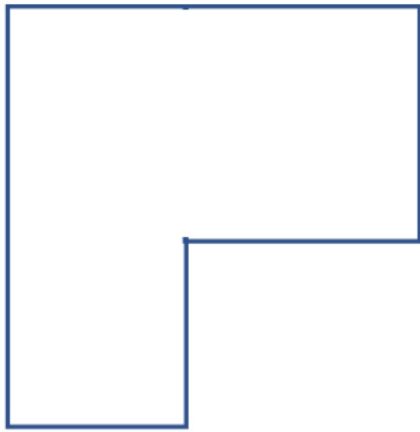
Area of compound shapes 2

Area = length x width

What is a compound shape?



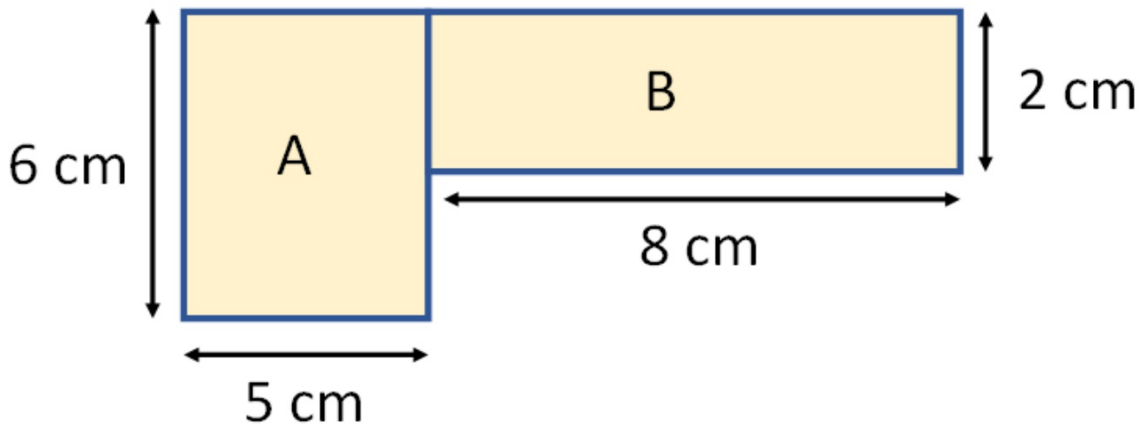
What is a compound shape?



A shape made up of 2 or more shapes



Area = length x width

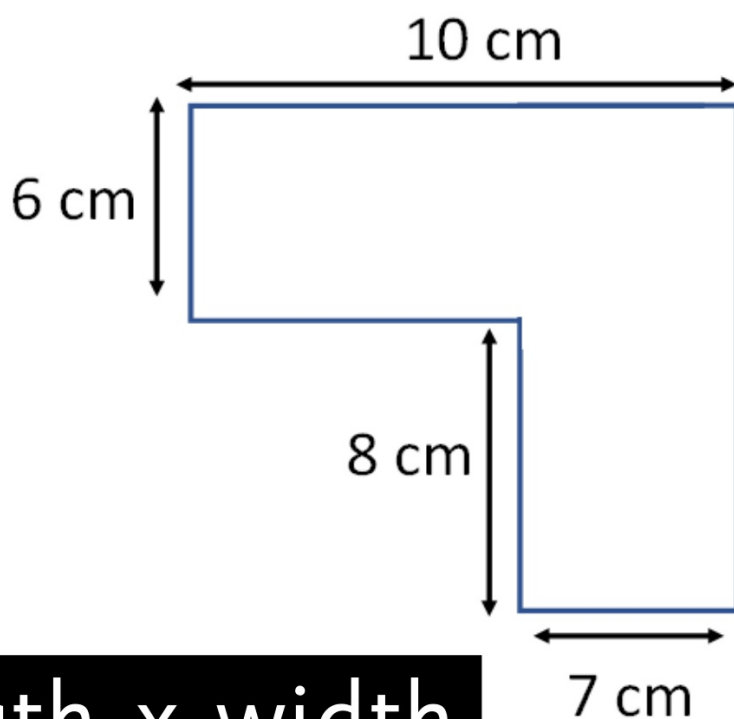


$$A) 5 \times 6 = 30\text{cm}$$

$$B) 8 \times 2 = 16\text{cm}$$

$$\text{Area} = 30 + 16 = 46\text{cm}^2$$

Calculate the
area and
perimeter

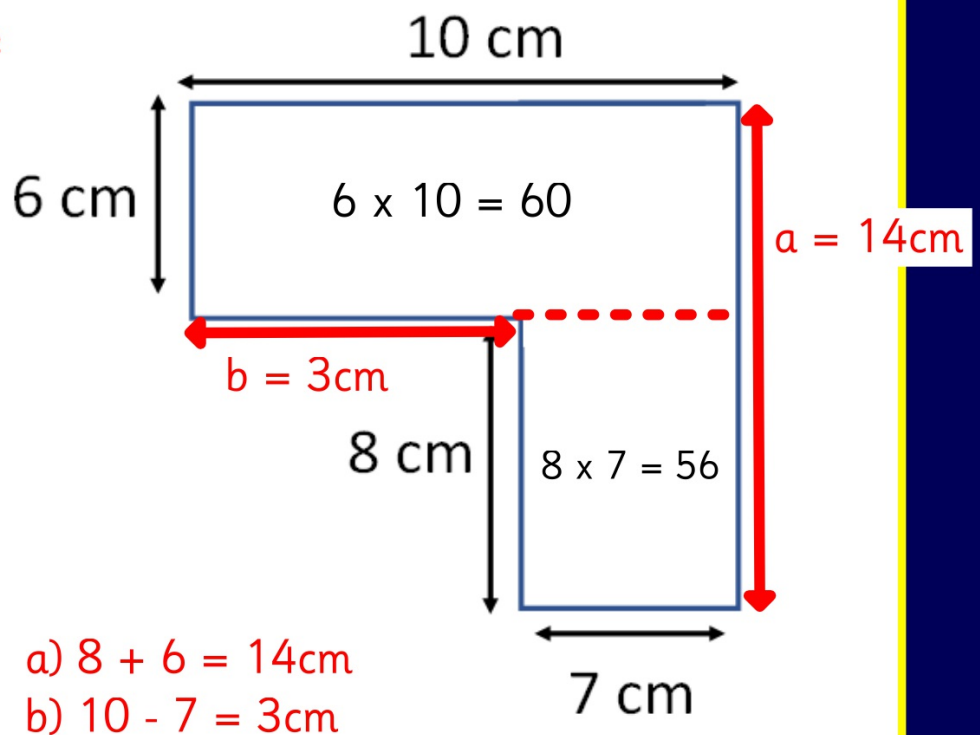


Area = length x width

Area:

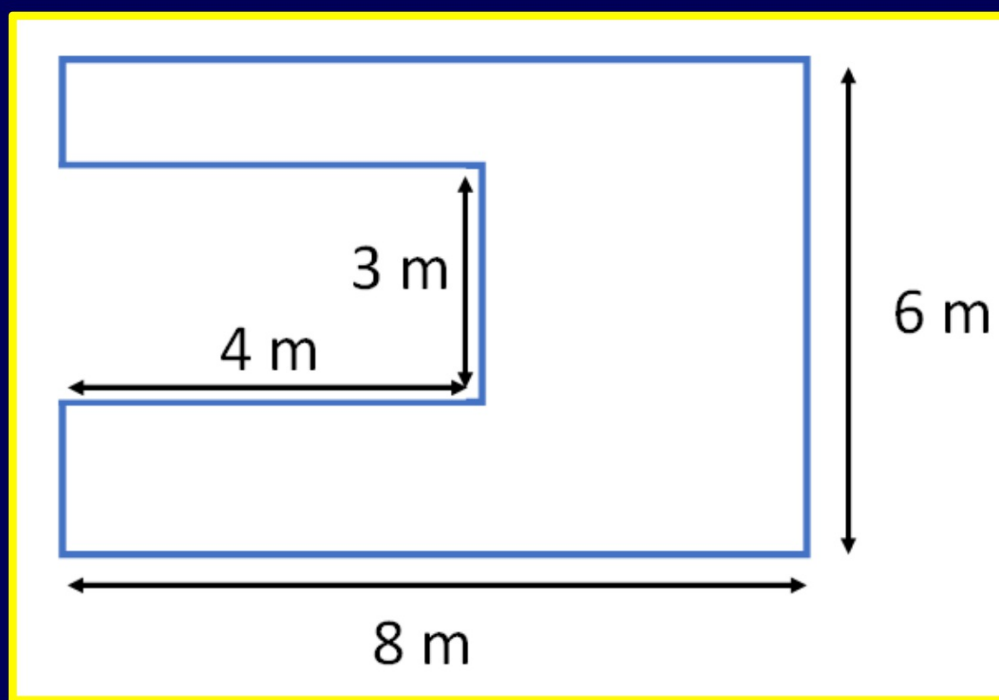
$$60 + 56 = 116\text{cm}^2$$

When calculating the perimeter, remember to look for the number bonds



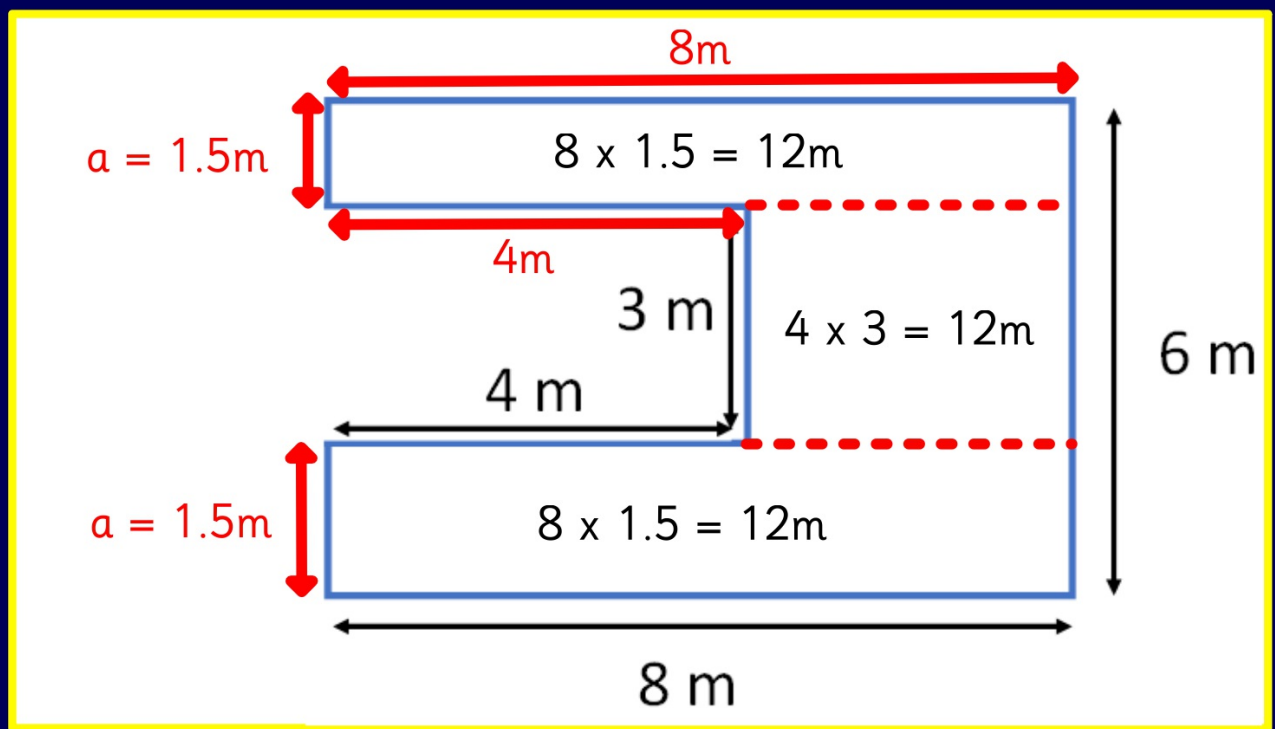
Perimeter:

$$7 + 3 + 14 + 6 + 10 + 8 = 48\text{cm}$$



Calculate
the area

$$\text{Area} = \text{length} \times \text{width}$$

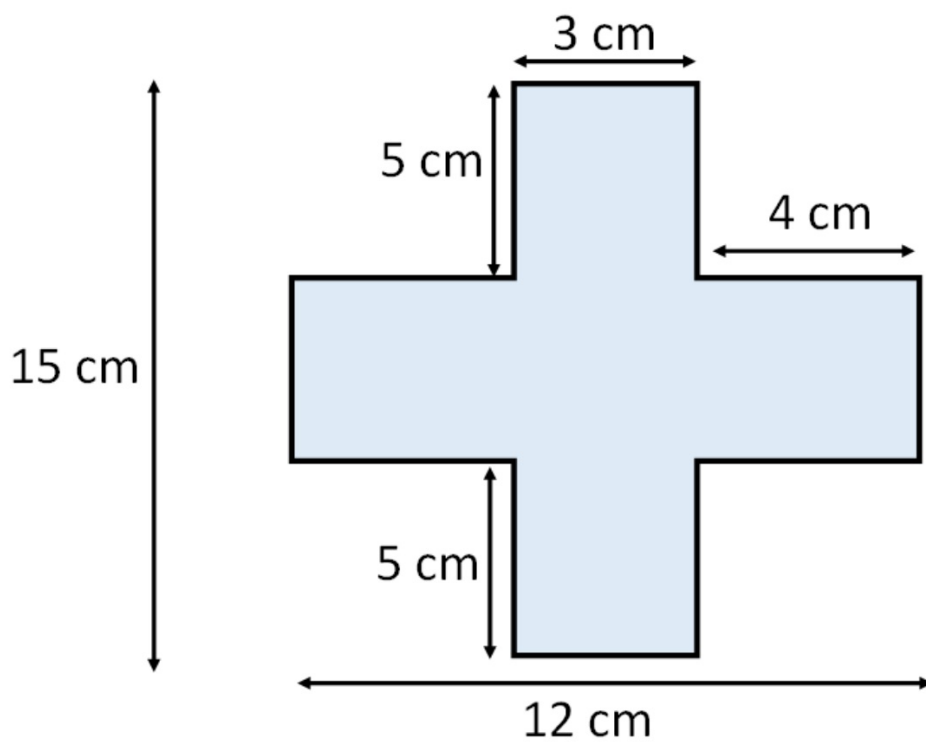


a) $6 - 3 = 3$
 $3 \div 2 = 1.5$
 $a = 1.5 \text{ m}$

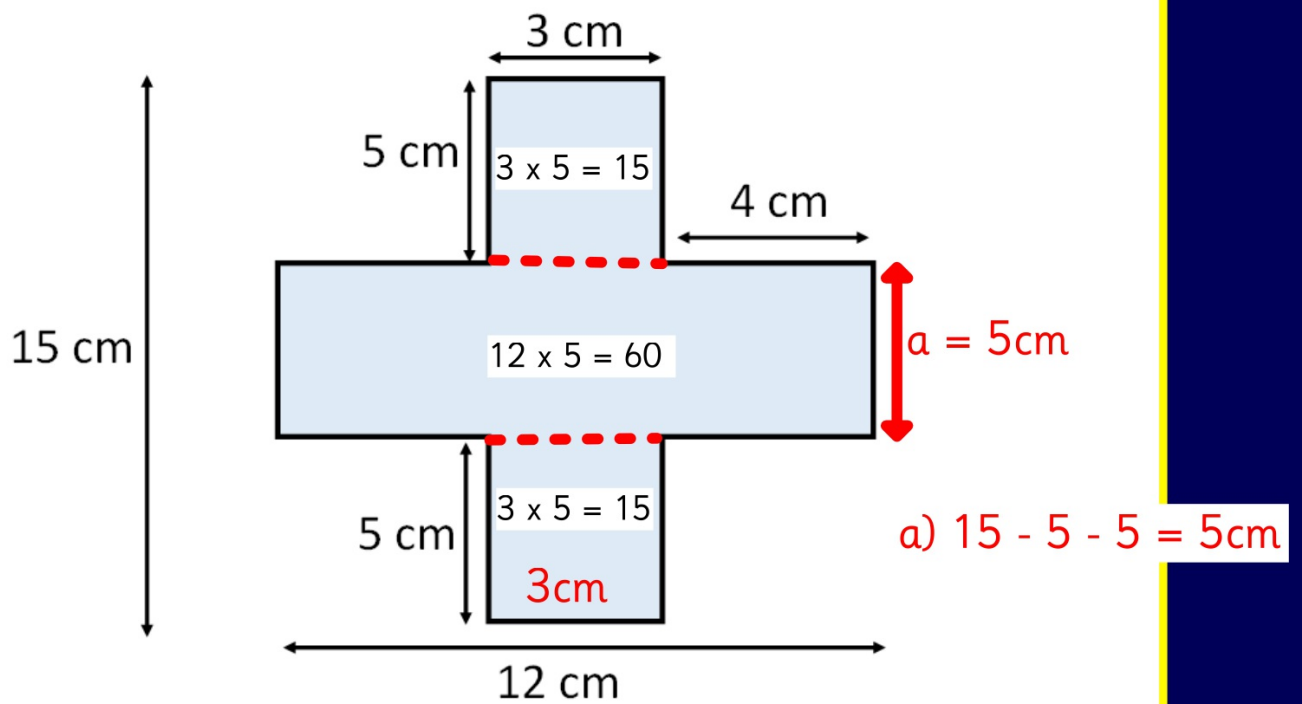
Area: $12 + 12 + 12 = 36 \text{ m}^2$

Perimeter: $6 + 4 + 1.5 + 1.5 + 8 + 3 + 4 + 8 = 36 \text{ m}$

Area = length x width



Calculate the area



Area: $15 + 15 + 60 = 90\text{cm}^2$

5.

Area a: _____ cm^2
 Area b: _____ cm^2 Total: _____ cm^2

6.

Area a: _____ cm^2
 Area b: _____ cm^2 Total: _____ cm^2

Working Deeper

The area of this shape is 83 cm^2
 Work out the perimeter of the shape.

9.

Area a: _____ cm^2 Area c: _____ cm^2
 Area b: _____ cm^2 Total: _____ cm^2

10.

Area a: _____ cm^2 Area c: _____ cm^2
 Area b: _____ cm^2 Total: _____ cm^2

Calculate the area of these compound shapes.

a)

b)